

DEGREASING TUB VIBRATOR TRT



TROWAL DEGREASING & CLEANING TECHNOLOGY

Degreasing tub vibrator TRT 83x37

CLEANING OF GREASY PARTS IN REPAIR AND MAINTENANCE OPERATIONS

The Trowal degreasing tub vibrator TRT 83x37 removes all kinds of lubricants and other contaminants from the surface of automotive and machine components which for repair and maintenance purposes must be cleaned before being reassembled.

THAT'S HOW IT WORKS

The dirty parts are placed into a vibrating work bowl filled with non-abrasive media and a mixture of water and degreasing compound. The cleaning effect is two-fold: While the compound/water mix is chemically breaking up the oil and grease, the media in the vibrating work bowl is "rubbing" against the embedded work pieces, thus removing the contaminants from the part surface. The compound/water mix now contaminated with dirt, grease and oil is continuously pumped into a so-called dirty water tank, where coarse dirt particles are separated from the liquid before it is pumped back into the tub vibrator. Operation of the machine is fully automatic requiring the operator to only turn it on and off. Depending on the degree of contamination the cleaning cycles will last between 20 and 40 minutes.



Power vibratory drive	1 kW
Drive speed (RPM)	1,460 min ⁻¹
Usable volume	80 liters (2.9 cuft)
Required space (L x W x H)	1,200 x 1,000 x 1,242/1,600 mm (47 x 39 x 49/63")
Total weight, empty	465 kg (1,023 lbs)

WORK PIECE TYPES AND SIZES

The degreasing tub vibrator TRT 83x37 allows the cleaning of parts with lengths of up to 80 cm (31.5") and diameters of 30 cm (12"). Typical work pieces can be:

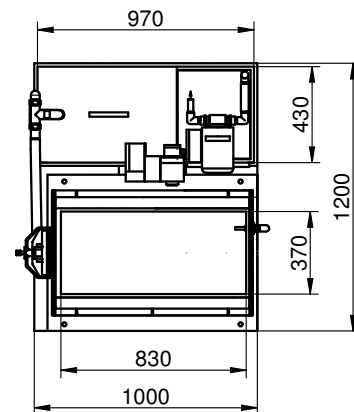
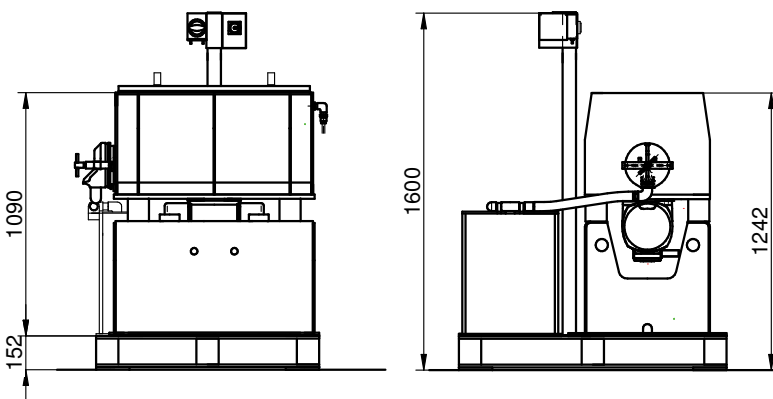
- Bushings and bearing caps
- Various motor components
- Transmission parts
- Shafts
- Labyrinth seal rings
- Bearings and bearing housings
- And many more.

LIQUID CLEANING COMPOUND TR51

Trowaclean TR51 is a highly concentrated liquid degreasing compound that will break up the most tenacious dirt layers on any part surface. It can generate surface energies of over 48 mN/m. In comparison to conventional solvent based cleaners the TR51 compound is not classified as a hazardous material. In addition, it offers excellent corrosion protection. The TR51 cleaning compound can also be used for cleaning and pre-treatment of parts prior to painting.

ACCESSORIES

- Sound cover
For noise reduction during the cleaning process
- Brush cleaning set
For cleaning of extremely difficult to reach surface areas like grooves and bore holes.



CLEANING MEDIA TR22

The cleaning media trowalplast TR22, made from polyester resin, is shaped in the form of a pyramid with curved sides and rounded edges. This specially shaped media can access difficult to reach surface areas on the parts without the risk of getting lodged.

**WALTHER
TROWAL!**

Walther Trowal GmbH & Co. KG
Rheinische Straße 35-37 | D-42781 Haan
Tel. +49(0)2129-571-0 | Fax +49(0)2129-571-225
info@walther-trowal.com | www.walther-trowal.com